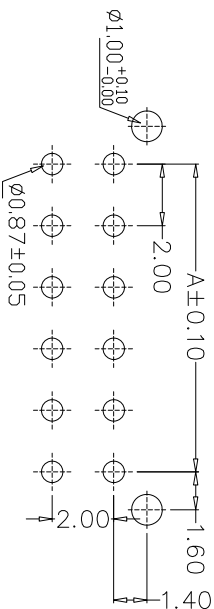
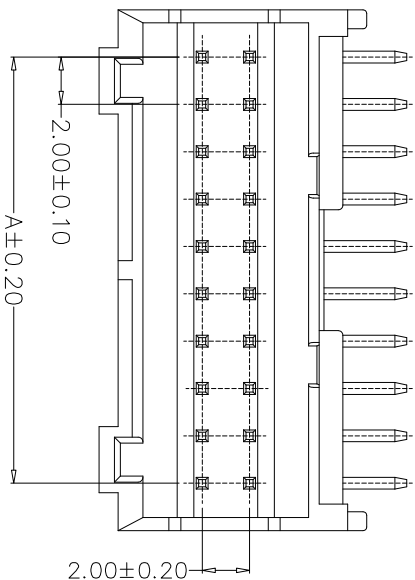
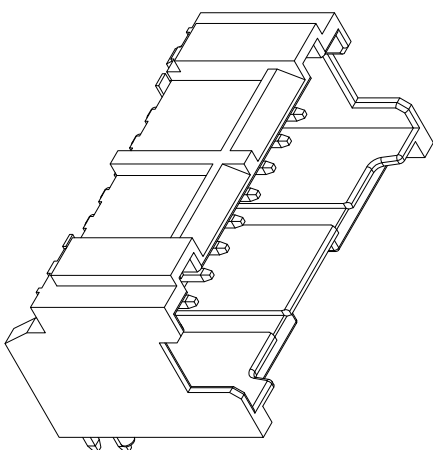
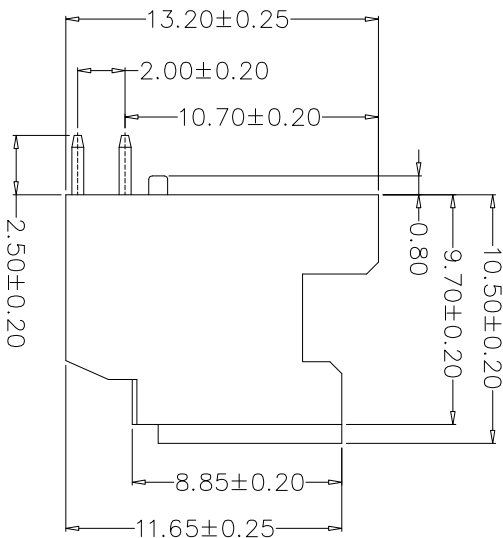
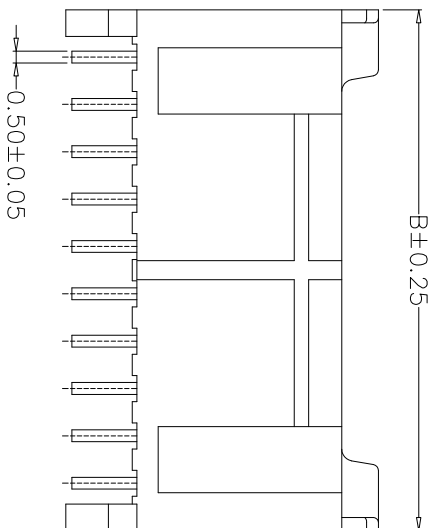


ROHS



编号	尺寸 (mm)	
	A	B
A2015-2X02AW	2.00	6.00
A2015-2X03AW	4.00	8.00
A2015-2X04AW	6.00	10.00
A2015-2X05AW	8.00	12.00
A2015-2X06AW	10.00	14.00
A2015-2X07AW	12.00	16.00
A2015-2X08AW	14.00	18.00
A2015-2X09AW	16.00	20.00
A2015-2X10AW	18.00	22.00
A2015-2X11AW	20.00	24.00
A2015-2X12AW	22.00	26.00
A2015-2X20AW	38.00	42.00

PCB LAYOUT

SPECIFICATIONS

- 1、Current Rating: 3A AC, DC
- 2、Voltage Rating: 250V AC, DC
- 3、Temperature Range: -25°C~+85°C
- 4、Contact Resistance: 20mΩ Max
- 5、Insulation Resistance: 1000MΩ Min
- 6、Withstanding Voltage: 800V AC/minute
- 7、Material: Wafer Nylon66, UL94V-0  
PIN Brass Tin-plated



X.±0.5

.X±0.30

.XX±0.20

.XXX±0.005, XXX ±

单位  
UNIT

mm

比例  
SCALE

批准:  
APPROVED BY

审核:  
CHECKED BY

制图:  
DRAWN BY

深圳市泰华电子有限公司  
TaiHua Electronics Co., Ltd

版本: A0  
Production name

页次: 1/1  
产品料号  
Product No

日期:  
客户料号  
Client No

SPI 弯针 WAFER DIP TYPE

TH-A2015-2XNAW

版本 REV	变更日期 CHANGE DATE	变更理由 REASON
1.00		